

U REAL-EL
USER MANUAL



SPEAKER SYSTEM
S-2010

Congratulations on your purchase of the REAL-EL speaker system!

COPYRIGHT

© 2026. ENEL GROUP OU.

This Manual and information contained in are copyrighted. All rights reserved.

TRADEMARKS

All trademarks are the property of their legal holders.

CONTENTS

1. BUYER RECOMMENDATIONS	1
2. PACKAGE CONTENTS	1
3. SAFETY PRECAUTIONS	2
4. TECHNICAL DESCRIPTION	2
5. CONNECTION AND OPERATION	4
6. TECHNICAL SPECIFICATIONS	5

1. BUYER RECOMMENDATIONS

- Unpack the device carefully. Make sure there are no accessories left in the box. Check up the device for damage; if the product was damaged during transportation, address the firm, which carried out the delivery; if the product functions incorrectly, address the dealer at once.
- Do not switch on the speaker system immediately after you bring it into a room from environment with negative temperature! After unpacking, the speaker system should be kept in conditions of room temperature for at least 4 hours.
- Before installing and using the speaker system, read this Manual carefully and keep it for future reference.

2. PACKAGE CONTENTS

- Speaker System — 1 pc
- Signal cable — 1 pc
- Power cable — 1 pc
- User manual — 1 pc
- Warranty card — 1 pc

3. SAFETY PRECAUTIONS

- Do not open the speaker system (SS) and do not perform repairs by yourself. Service and repairs should be performed only by qualified specialists at authorized service centers. The list of authorized service centers is on www.real-el.com
- Make sure that foreign objects do not get inside the holes of the SS.
- Protect the SS from high humidity, water and dust.
- Protect the SS from heating: do not place it closer than 1 m from a heat source. Do not expose it to direct sunlight.
- Do not use any chemical agents for cleaning. Clean it with dry soft cloth only.
- In case of SS does not work properly. Please contact place of purchase or service center.

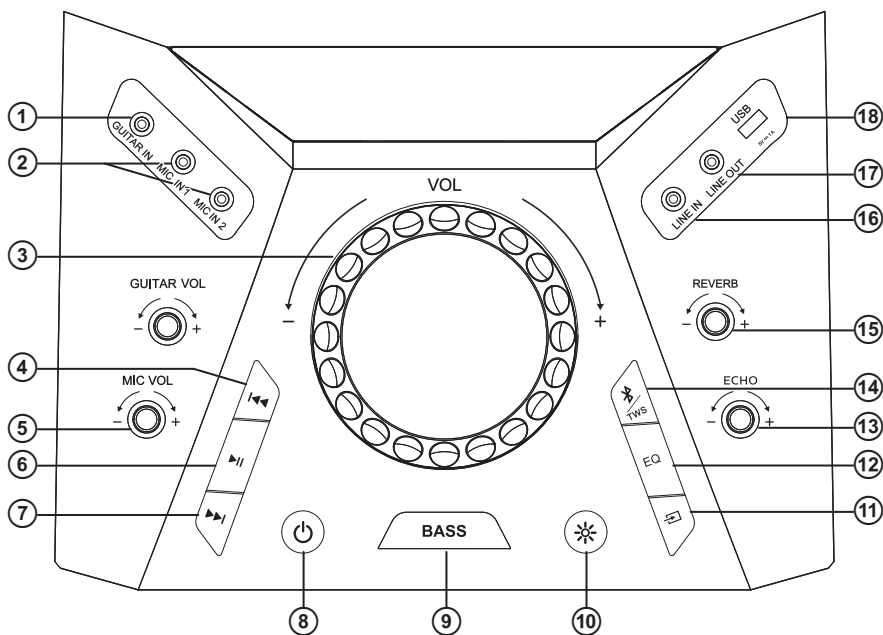
Special features

- 1000 W High-Power Output
- FM Radio
- BT Wireless Streaming
- TWS function. Connect two speakers together
- Dynamic RGB Lighting
- Karaoke-Ready – Microphone input with adjustable echo for vocal effects
- Guitar Input
- LED Display
- USB Playback
- Easy Mobility – Built-in transport wheels for effortless movement
- Smartphone Tray – Convenient holder for your phone during playback
- Built-In Equalizer
- Premium MDF Wooden Cabinet

4. TECHNICAL DESCRIPTION

Control panel

- ① GUITAR IN: 6.3 mm (1/4")- jack for connecting an electric guitar.
- ② MIC IN: 6.3 mm (1/4")- jack for connecting a microphone.
- ③ VOLUME +/-: volume control.
- ④ Previous track (short pressing in Player and BT mode);
"Fast rewind" on the track (long pressing in Player mode);
Previous station (short pressing in Radio mode);
Search for a station with a lower frequency (long pressing in Radio mode).
- ⑤ MIC VOL: microphone volume control.
- ⑥ Play/Pause button (short pressing in Player and BT mode);
FM auto scan (long pressing in Radio mode);
Mute (short pressing in Radio and LINE mode);
Disconnect from device (long pressing in BT mode).
- ⑦ Next track (short pressing in Player and Bluetooth mode);
"Fast forward" on the track (long pressing in Player mode);
Next station (short pressing in Radio mode);
Search for a station with a higher frequency (long pressing in Radio mode).



- ⑧ POWER: ON/OFF speaker system.
- ⑨ BASS: ON/OFF extra BASS function.
- ⑩ Switching backlight modes or turning OFF backlight (short press); ON/OFF stroboscope mode (long press).
- ⑪ Switching modes: BT/USB/FM/LINE (short pressing); ON/OFF the service signals (long pressing).
- ⑫ EQ mode switch button.
- ⑬ ECHO: microphone echo level adjustment
- ⑭ ON/OFF BT mode (short pressing); connecting an additional speaker TWS (long pressing in BT mode).
- ⑮ REVERB: adjustment of the reverberation effect.
- ⑯ LINE IN: 3.5 mm mini-jack for connecting an external audio source (mobile device, TV, etc.).
- ⑰ LINE OUT: 3.5 mm mini-jack for connecting additional speaker.
- ⑱ Connection of USB flash drive or device charging port (with up to 1 A charging current).

5. CONNECTION AND OPERATION

Connecting

The speaker system can be connected to any audio source: PC, laptops, tablet PC, mobile phones, etc. (see the diagram in the picture).

- Connect the power cable to the mains and turn on the speakers.
- Adjust the volume level to minimum.
- By briefly pressing the **Ⓜ** button, select the required mode BT/USB/FM/LINE.

BT mode

- Turn the device into BT mode, the display will show "BT". After 2-3 seconds, the device will enter search mode.
- On the signal source (phone, tablet, etc.), you need to select the BT device search mode. The screen will display the name "REAL-EL S-2010", which you need to connect to. After a successful connection, a beep will sound. To forcefully disconnect the BT device, press and hold the button **Ⓜ**.

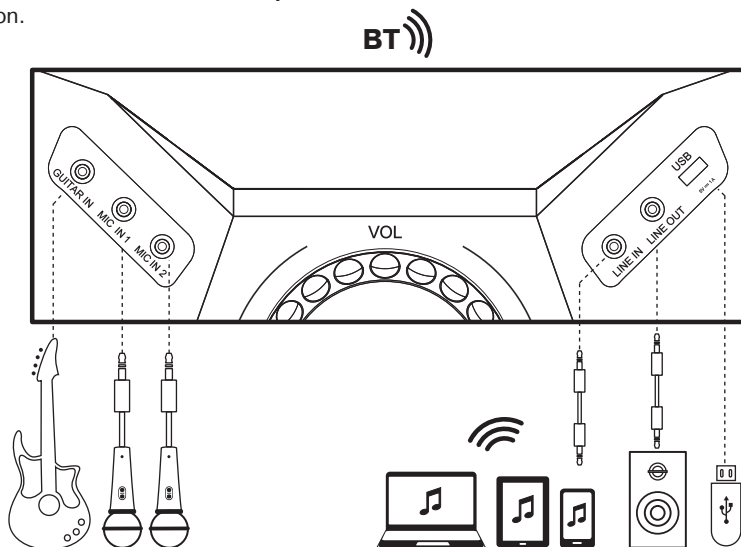
KARAOKE mode

Connect a microphone and adjust the volume. Karaoke mode is activated automatically when any audio source is connected. For karaoke, use a dynamic microphone with a 6.3 mm (1/4") TS plug.

Note: microphone is not included.

FM mode

- To switch to the "FM" mode, when the speaker is on, press the **Ⓜ** button briefly several times. The display will show a tuning frequency.
- Holding the button **Ⓜ** down activates the automatic search mode. After scanning is complete, the first found FM station will automatically turn on. Use the **Ⓩ** and **Ⓢ** buttons to select the desired radio station.



TWS mode (simultaneous connection of two systems in stereo mode)

- Before connecting in TWS mode, make sure that both speakers do not have an active BT connection and are not connected to other external sound sources;
- Turn on both speakers (main and additional) in BT mode;
- On one of the speakers, press and hold the ⑭ TWS button (this speaker will be the main speaker), both speakers will go into TWS mode.
- If the two speakers are successfully connected to each other, the TWS mode will be activated;
- Connect the Bluetooth signal source to the main speaker;
- To disconnect the TWS connection, press and hold the ⑭ button.

USB Player Mode

- Insert a USB flash drive into the appropriate slot, the audio track will be played automatically.
- The USB slot can be used to charge devices.

LINE Wired Connection Mode

- Select LINE playback mode using the ⑪ button.
- Connect an audio source to LINE IN or an additional speaker to LINE OUT using a 3.5 mm cable.

Note: *When using a wired connection, the control is from the audio source.*

6. SPECIFICATION

Parameter	Value
Output Power, max. (RMS)	1000 (2 x 500) W
Playback mode	stereo
Frequency range	25 – 20 000 Hz
Frequency range FM	87.5 – 108 MHz
Speaker drivers size	
HF driver	2 x Ø 3" (76 mm)
LF driver	2 x Ø 8" (209 mm)
Power supply	~ 230/50 V/Hz
Connection types	BT/LINE/USB/Guitar/Mic
Bluetooth operation distance	up to 10 m
Frequency range Bluetooth	2402 - 2480 MHz
Bluetooth transmission power, max.	10 dBm
Dimensions of the product	350 × 372 × 1018 mm
Case material	wooden (MDF)
Weight	17.2 kg

Notes:

- *Technical specifications given in this table are supplemental information and cannot give occasion to claims.*
- *Technical specifications and package contents are subject to change without notice due to the improvement of REAL-EL production.*



The product complies with all applicable requirements for Restriction of Hazardous Substances (RoHS). Packing, batteries, electronic and electrical equipment and their accessories should not be disposed of with household waste. Wherever possible, they should be segregated and brought to an appropriate collection point to enable recycling and avoid potential impacts on the environment and human health. For more information, contact your local authorities or place of purchase.



Hereby, Enel Group OÜ, Aruküla tee 55A, Jüri alevik, Rae vald, Harjumaa, Estonia, 75301, declares that the radio equipment type Radio-Frequency peripheral is in compliance with Directive 2014/53/EU. EU declaration of conformity is available at the following internet address: www.real-el.com

Manufacturer: ENEL GROUP OÜ, Harju maakond, Rae vald, Jüri alevik, Aruküla tee 55a, 75301, Estonia. ® Registered Trademark of ENEL GROUP OÜ. Estonia.